

AEROSTAT COMMUNICATIONS

The Vital Link between Gimbal and
Your Ground Control Station

END TO END AEROSTAT LINK

A solution that minimizes
integration time and effort

- **Simple hook up – plug and play**
- No Export Restrictions
- IP66 Rated
- Proven Reliability
- Added Mechanical Stabilization
- Compatible with all Gimbals
- Multiple Communication Types
- Experienced Support Team



MULTIPLE DATA LINK OPTIONS

Operating an Aerostat or other Lighter than Air platform requires reliable and rapid communication. With Multiple Data Link options available, UAV Vision has the data link solution for your application.

ETHERNET OVER POWER

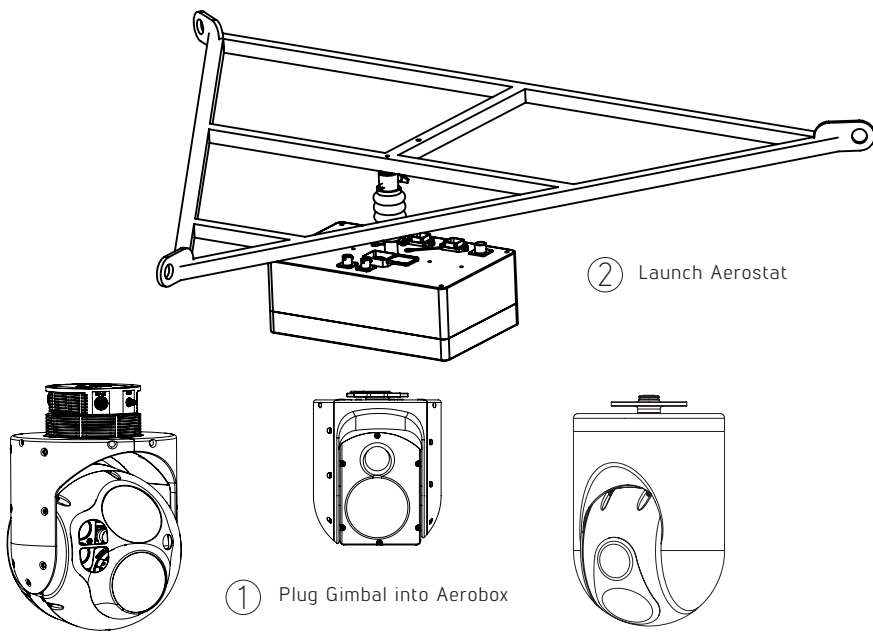
Take full advantage of powered tethers by creating a network with minimal additional infrastructure. Aerobox fitted with Ethernet over Power can provide speeds of up to 100Mbps up to 300m.

FIBER OPTIC LINK

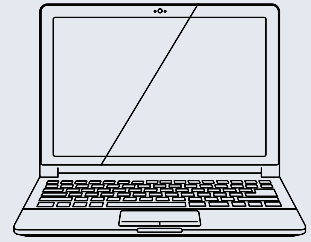
For systems that utilize a Fiber Optic data tether, an Aerobox with Fiber Optic Link will ensure the benefits of Fiber Optic communication can be used with the UAV Vision Gimbal range.

IP MESH RADIO

When operating from ranges which require a Wireless Option, an Aerobox with incorporated IP Mesh Radios will provide high quality imagery at distances which are impractical with a wired solution.



AEROBOX



③ Connect to Gimbal

SYSTEM SPECIFICATIONS

Aerobox Specifications

SIZE	280 x 180 x 105mm
IP RATING	IP66
TEMPERATURE	-20°C to +50°C
INTERFACES	Power Ethernet AHRS

Frame Specifications

WEIGHT	1kg
SIZE	1m Triangle

OPTION SPECIFICATIONS

Option #1 Ethernet Over Power

WEIGHT	3.0kg
SPEED	100Mbps
DISTANCE	300m
POWER TETHER	220-240V AC
INTERFACES	Ethernet

Option #2 Fiber Optic

WEIGHT	3.5kg
SPEED	100Mbps
DISTANCE	Up to 3km
POWER	0.11 A at 24V
INTERFACES	SC MultiMode Ethernet

Option #3 IP Radio

WEIGHT	3.5kg
SPEED	Up to 12Mbps
RANGE	Up to 1km
POWER	Up to 1W
INTERFACES	Ethernet

SIMPLY PLUG AND PLAY

You can easily hook up the Aerobox with UAV Vision Gimbal, a power and a network cable, and use it straight away

END TO END SYSTEM

When operating an ISR Aerostat, minimize time spent integrating and use a fully developed End to End System.

COMPATIBLE WITH ALL GIMBALS

Whatever the environment, Whatever the mission, the UAV Vision range of ISR gimbals will get the results you need.

ENVIRONMENTAL PROTECTION

An IP66 Rated Enclosure and Connectors allow for operation in adverse weather conditions.

LIGHT WEIGHT

Less payload weight means less cost in Aerostat hardware and infrastructure.

MULTIPLE OPTIONS

Depending on available infrastructure and budgetary requirements UAV Vision can customize a solution to meet your needs.

INTERGRATION ASSISTANCE AND TRAINING

Let us to assist in finding the best gimbal for your application and possible integration options.



Wildlife Monitoring



Border and Asset Surveillance



Crowd Surveillance

